

TECHNICAL DATASHEET

CASA NYLON plug with pre-assembled accessories

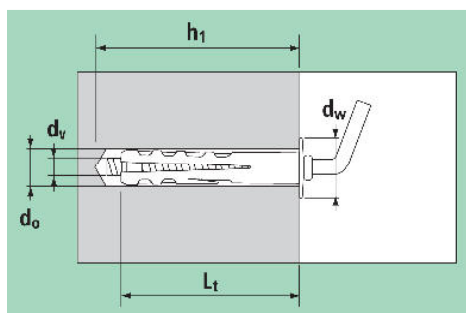
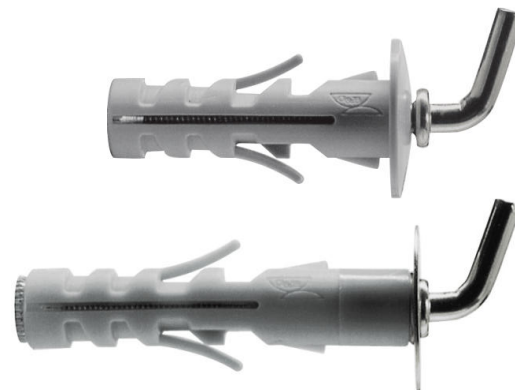
EN
rev. 07/2014
p. 1/4

Nylon plug with pre-assembled accessories.
Available in 9 mm and 12 mm diameter, each in two lengths,
with nylon built-in washer and metal washer.

Use

specific use

concrete
stone
solid brick
hollow brick
concrete hollow bricks

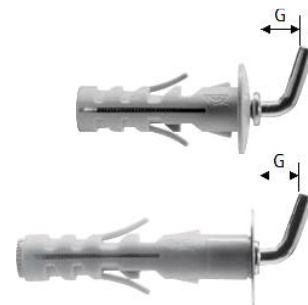


d = plug diameter = hole diameter
L_t = plug length
h₁ = minimum hole depth
h_{nom} = overall embedment depth
h_{ef} = effective anchorage depth
d_v = screw diameter
L_v = screw length
d_w = washer diameter

$h_{nom} = h_{ef} = L_t$

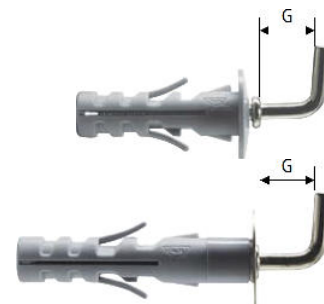
CASA Nylon with short hook

art.	descr.	d mm	L _t mm	h ₁ mm	d _v mm	L _v mm	d _w mm	G mm
HTS01	CA9-40/1	9	40	50	M4	40	20	8
HTL01	CA12-45/1	12	45	55	M5	45	25	8
HTS11	CA9-50/1	9	50	60	M4	50	20	8
HTL11	CA12-58/1	12	58	68	M5	58	25	8



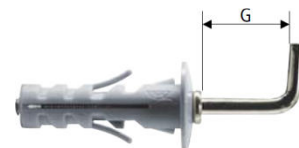
CASA Nylon with medium hook

art.	descr.	d mm	L _t mm	h ₁ mm	d _v mm	L _v mm	d _w mm	G mm
HTS02	CA9-40/2	9	40	50	M4	40	20	12
HTL02	CA12-45/2	12	45	55	M5	45	25	14
HTL21	CA12-58/2	12	58	68	M5	58	25	14



CASA Nylon with long hook

art.	descr.	d mm	L _t mm	h ₁ mm	d _v mm	L _v mm	d _w mm	G mm
HTS03	CA9-40/3	9	40	50	M4	40	20	18
HTL03	CA12-45/3	12	45	55	M5	45	25	25



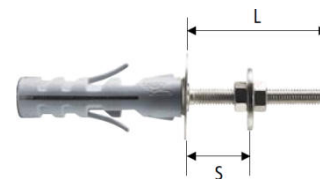
TECHNICAL DATASHEET

CASA NYLON plug with pre-assembled accessories

EN
rev. 07/2014
p. 2/4

CASA Nylon with dual screw

art.	descr.	d mm	L _t mm	h ₁ mm	dv mm	L _v mm	d _w mm	L mm	S mm
HTS04	CA9-40/4	9	40	50	M4	40	20	35	25
HTL04	CA12-45/4	12	45	55	M5	45	25	40	30



CASA Nylon with open eye

art.	descr.	d mm	L _t mm	h ₁ mm	dv mm	L _v mm	d _w mm	A mm
HTS05	CA9-40/5	9	40	50	M4	40	20	8.5
HTL05	CA12-45/5	12	45	55	M5	45	25	10



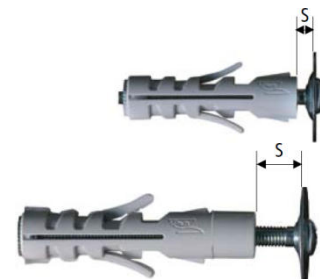
CASA Nylon with closed eye

art.	descr.	d mm	L _t mm	h ₁ mm	dv mm	L _v mm	d _w mm	Ø mm
HTS06	CA9-40/6	9	40	50	M4	40	20	13
HTL06	CA12-45/6	12	45	55	M5	45	25	13
HTL61	CA12-58/6	12	58	68	M5	58	25	13



CASA Nylon with oval countersunk screw and combined slot

art.	descr.	d mm	L _t mm	h ₁ mm	dv mm	L _v mm	d _w mm	S mm
HTS07	CA9-40/7	9	40	50	M4	50	20	8
HTL07	CA12-45/7	12	45	55	M5	55	25	5
HTS71	CA9-50/7	9	50	60	M4	60	20	8
HTL71	CA12-58/7	12	58	68	M5	70	25	10



CASA Nylon with screw-adjustable flat hook

art.	descr.	d mm	L _t mm	h ₁ mm	dv mm	L _v mm	d _w mm
x	CA12-45/10	12	45	55	M5	45	25



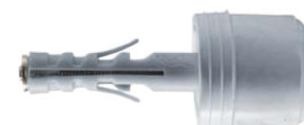
CASA Nylon with black rubber buffer

art.	descr.	d mm	L _t mm	h ₁ mm	dv mm	L _v mm	d _w mm
HTS09	CA9-40/9	9	40	50	M4	40	20



CASA Nylon with white rubber buffer

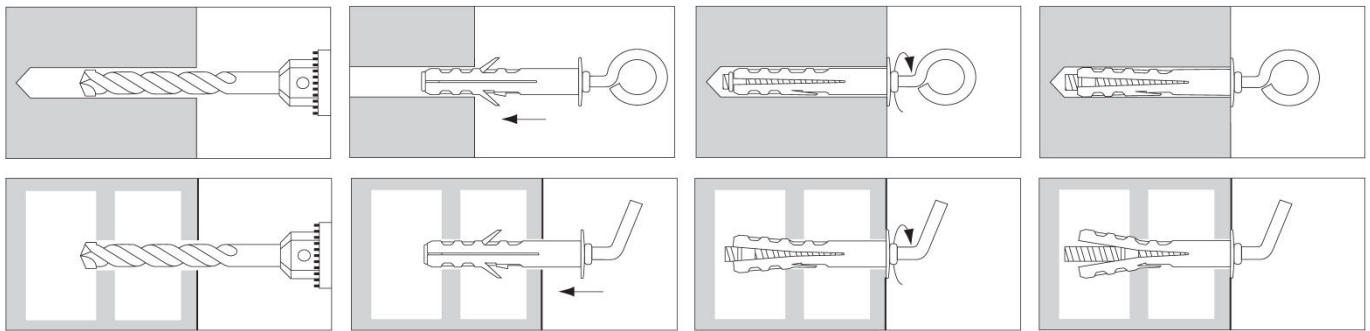
art.	descr.	d mm	L _t mm	h ₁ mm	dv mm	L _v mm	d _w mm
HTS10	CA9-40/10	9	40	50	M4	40	20



TECHNICAL DATASHEET
CASA NYLON plug with pre-assembled accessories

EN
 rev. 07/2014
 p. 3/4

Installation



Materials

part	material	surface
plug	polyamide (Nylon) grey RAL 7035	-
screws and accessories	steel	white zinc plating $\geq 5 \mu\text{m}$ ISO 4042
doorstop	PVC	-

Strength data

on concrete class C20/25, expressed in daN (1 daN \approx 1 kg)

Characteristic resistance

type	9 mm diam.			12 mm diam.		
	art.	descr.	N_{rk} daN	art.	descr.	N_{rk} daN
short hook	HTS01	CA9-40/1	80 ¹	HTL01	CA12-45/1	150 ¹
	HTS11	CA9-50/1		HTL11	CA12-58/1	
medium hook	HTS02	CA9-40/2	40 ¹	HTL02	CA12-45/2	60 ¹
				HTL21	CA12-58/2	
long hook	HTS03	CA9-40/3	30 ¹	HTL03	CA12-45/3	40 ¹
dual screw	HTS04	CA9-40/4	220	HTL04	CA12-45/4	280
open eye	HTS05	CA9-40/5	40 ¹	HTL05	CA12-45/5	50 ¹
closed eye	HTS06	CA9-40/6	40 ¹	HTL06	CA12-45/6	50 ¹
				HTL61	CA12-58/6	
oval screw	HTS07	CA9-40/7	220 ¹	HTL07	CA12-45/7	280
	HTS71	CA9-50/7		HTL71	CA12-58/7	
flat hook		-		HTL10	CA12-45/10	280

¹ accessory deformation

Appropriate safety factor is recommended (4 ÷ 5).

Characteristic resistances derive from tests conducted in G&B Fissaggi's laboratories according to international guidelines. Load values are valid only if installation is performed accurately. Designer is responsible for the choice of size and number of anchors.

TECHNICAL DATASHEET

CASA NYLON plug with pre-assembled accessories

EN
rev. 07/2014
p. 4/4

Recommended load

type	9 mm diam.			12 mm diam.		
	art.	descr.	N _{rk} daN	art.	descr.	N _{rk} daN
short hook	HTS01	CA9-40/1	14 ¹	HTL01	CA12-45/1	27 ¹
	HTS11	CA9-50/1		HTL11	CA12-58/1	
medium hook	HTS02	CA9-40/2	7.1 ¹	HTL02	CA12-45/2	11 ¹
				HTL21	CA12-58/2	
long hook	HTS03	CA9-40/3	5.4 ¹	HTL03	CA12-45/3	7.1 ¹
dual screw	HTS04	CA9-40/4	39	HTL04	CA12-45/4	50
open eye	HTS05	CA9-40/5	7.1 ¹	HTL05	CA12-45/5	8.9 ¹
closed eye	HTS06	CA9-40/6	7.1 ¹	HTL06	CA12-45/6	8.9 ¹
				HTL61	CA12-58/6	
oval screw	HTS07	CA9-40/7	39	HTL07	CA12-45/7	50
	HTS71	CA9-50/7		HTL71	CA12-58/7	
flat hook		-		HTL10	CA12-45/10	50

¹ accessory deformation

Recommended loads include the above mentioned partial safety factor of 4 and the further safety factor 1.4.